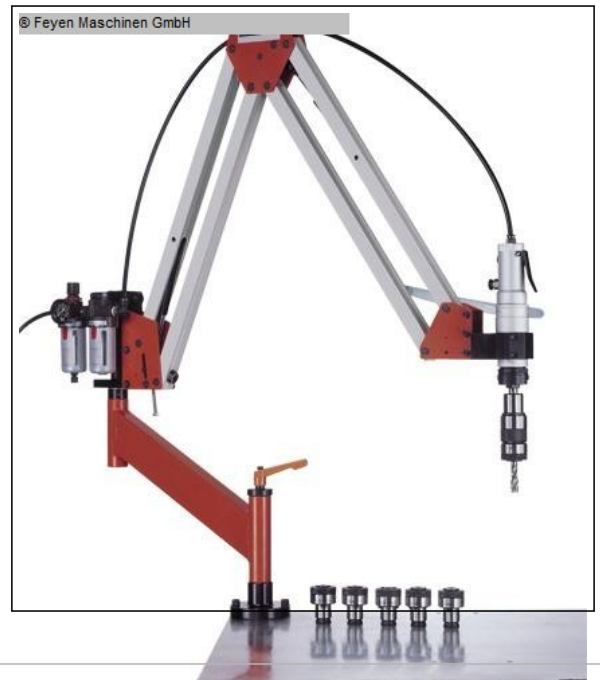


MACHINE-DATA

Machinetype : Thread-Cutting Machine
Make : HUVEMA
Type : AQ -16-950
Year : neu
Control type : conventional
Control :
Storage location : ex distributing warehouse
Origin :
Delivery time : short-term
Quotation : ex Warehouse, FOT
Price : on request



TECHNICAL DATA

thread dia.	16 mm
threading length	20 mm
turning speeds	300 U/min
working area	100 - 950 mm
weight of the machine ca.	25 Kg

TECHNICAL DESCRIPTION

- *pneumatically thread cutting device,*
order-No. 31689,

VIDEO-LINKS

WEB-LINK

<http://mhp.logotech.de/hpm/v7/Datenblatt/datenblatt.php?machineno=1053-010101>

Thread-Cutting Machine
HUVEMA
AQ -16-950
Stock no. :1053-010101

MACHINE PICTURES

