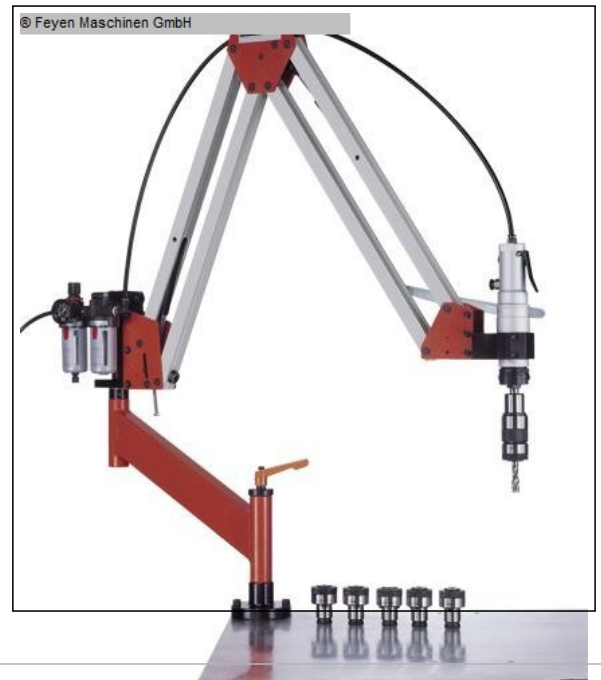


## MACHINE-DATA

Machinetype : Thread-Cutting Machine  
Make : HUVEMA  
Type : AT12/II  
Year : 2020  
Control type : conventional  
Control :  
Storage location : ex distributing warehouse  
Origin :  
Delivery time : immediately  
Quotation : ex distribution warehouse, free on truck  
Price : on request



## TECHNICAL DATA

thread dia.	12 mm
threading length	20 mm
turning speeds	400 U/min
working area	500 - 1600 mm
weight of the machine ca.	25 Kg

## TECHNICAL DESCRIPTION

- *pneumatical thread cutting device, M3 - M12,*
- *with 6 adapters of thread cuttings, Size 1,*
- *control valve with lubrication,*
- *order no. 31681,*

## VIDEO-LINKS

## WEB-LINK

<http://mhp.logotech.de/hpm/v7/Datenblatt/datenblatt.php?machineno=1053-010085>

## MACHINE PICTURES

