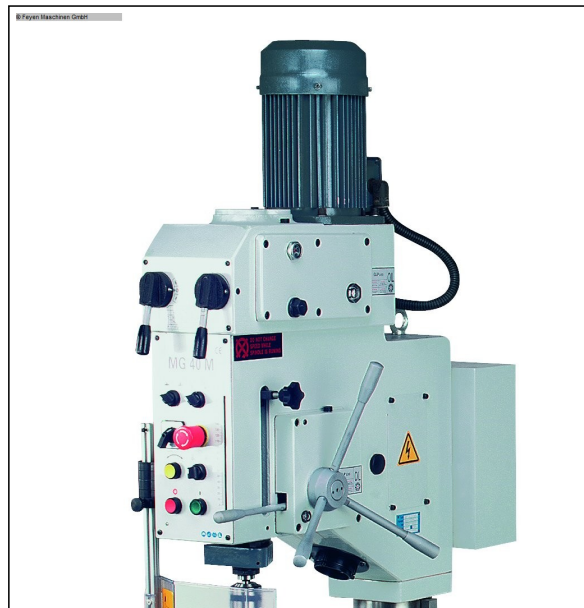


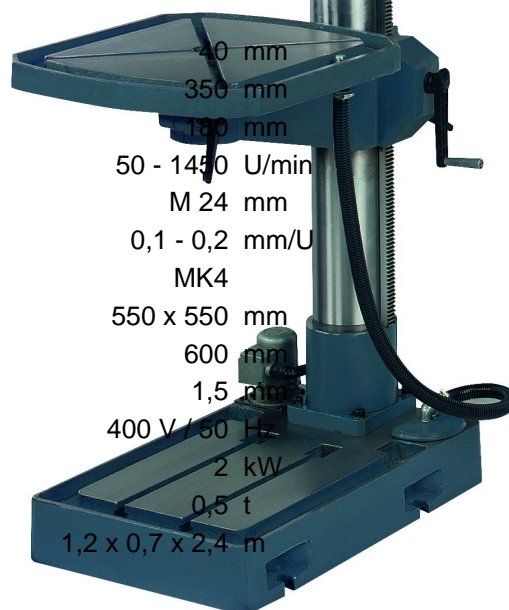
## MACHINE-DATA

Machinetype	: Pillar Drilling Machine
Make	: HUVEMA
Type	: MG 40 G-4
Year	: 2022
Control type	: conventional
Control	:
Storage location	: ex distributing warehouse
Origin	: Netherlands
Delivery time	: shortly
Quotation	: ab Auslieferungslager, frei verladen
Price	: on request



## TECHNICAL DATA

bore capacity in steel (diameter)  
throat  
bore stroke  
spindle turning speed range  
thread dia.  
feeds  
spindle taper  
table surface area  
Distance spindle/table max.  
distance spindle/base plate  
voltage  
total power requirement  
weight of the machine ca.  
dimensions of the machine ca.



## TECHNICAL DESCRIPTION

- Cooling system, Thread cutting device,
- rotating and tilting table,
- adjustable bore depth with automatical stop,
- motor 1,5 Kw,
- spindle turns clockwise and counter clockwise,
- Machine worklight
- electricmagnetic feed

## VIDEO-LINKS

Pillar Drilling Machine  
**HUVEMA**  
MG 40 G-4  
Stock no. :1053-010071



---

**WEB-LINK**

<http://mhp.logotech.de/hpm/v7/Datenblatt/datenblatt.php?machineno=1053-010071>

Pillar Drilling Machine  
HUVEMA  
MG 40 G-4  
Stock no. :1053-010071

## MACHINE PICTURES

